

Product Specifications



2.5 ft ValuLine® High Performance Low Profile Antenna, single-polarized, 10.7–11.7 GHz, PBR flange, white antenna, white radome



CHARACTERISTICS

General Specifications

Antenna Type	VHLP - ValuLine® High Performance Low Profile Antenna, single-polarized
Diameter, nominal	0.8 m 2.5 ft
Antenna Input	PBR100
Polarization	Single
Reflector Construction	One-piece reflector
Antenna Color	White
Radome Color	White
Radome Material Description	Polymer
Flash Included	No
Packing	Standard pack

Electrical Specifications

Operating Frequency Band	10.700 – 11.700 GHz
Gain, Top Band	38.1 dBi
Gain, Mid Band	37.5 dBi
Gain, Low Band	36.8 dBi
Front-to-Back Ratio	63 dB
Cross Polarization Discrimination (XPD)	30 dB
Beamwidth, Vertical	2.1 °
VSWR	1.30
Return Loss	17.7 dB
Radiation Pattern Envelope Reference (RPE)	7041
Electrical Compliance	US FCC Part 101B Brazil Anatel Class 2 ETSI 302 217 Class 3

Product Specifications

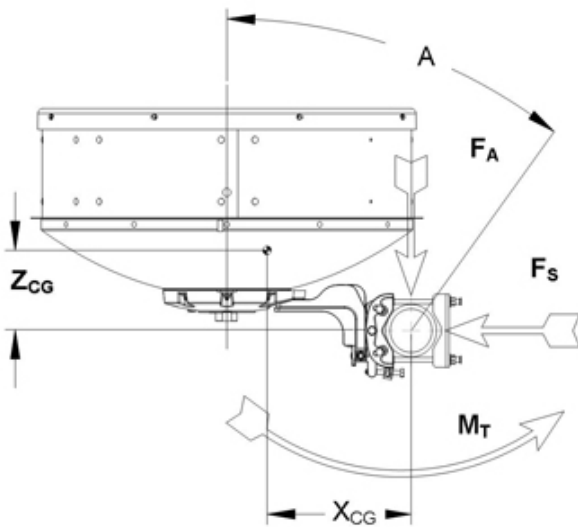
Mechanical Specifications

Wind Velocity Operational	113 km/h 70 mph
Wind Velocity Survival Rating	249 km/h 155 mph
Fine Azimuth Adjustment	$\pm 10^\circ$
Fine Elevation Adjustment	$\pm 25^\circ$
Mounting Pipe Diameter	50 mm–115 mm 2 in–4.5 in
Side Struts, Included	0
Side Struts, Optional	0
Net Weight	22 kg 48 lb

Wind Forces At Wind Velocity Survival Rating

Axial Force (FA)	1500 N 337 lbf
Side Force (FS)	743 N 167 lbf
Twisting Moment (MT)	673 N•m
Zcg without Ice	178 mm 7 in
Zcg with 1/2" (12 mm) Radial Ice	304 mm 12 in
Weight with 1/2" (12 mm) Radial Ice	35 kg 76 lb

Wind Forces At Wind Velocity Survival Rating Image



Packed Dimensions

Gross Weight, Packed Antenna	30.0 kg 66.1 lb
------------------------------	-------------------

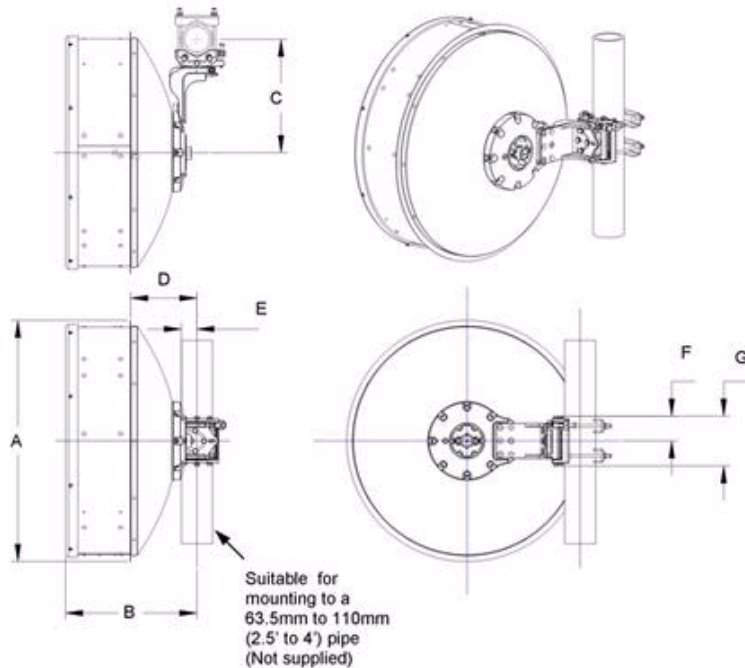
Product Specifications



Length	899.2 mm 35.4 in
Width	899.2 mm 35.4 in
Height	650.2 mm 25.6 in
Volume	32080.9 in ³

Product Specifications

Antenna Dimensions And Mounting Information



ANTENNA DIMENSIONS			
All dimensions in mm (inches)			
A	889(35)	D	244.75(9.6)
B	485.3(19.1)	E	57.6(2.3)
C	418.0(16.5)	F	91.7(3.6)
G	184.0(7.2)		

* Footnotes

Axial Force (FA)	Maximum forces exerted on a supporting structure as a result of wind from the most critical direction for this parameter. The individual maximums specified may not occur simultaneously. All forces are referenced to the mounting pipe.
Cross Polarization Discrimination (XPD)	The difference between the peak of the co-polarized main beam and the maximum cross-polarized signal over an angle twice the 3 dB beamwidth of the co-polarized main beam.
Front-to-Back Ratio	Denotes highest radiation relative to the main beam, at $180^\circ \pm 40^\circ$, across the band. Production antennas do not exceed rated values by more than 2 dB unless stated otherwise.
Gain, Mid Band	For a given frequency band, gain is primarily a function of antenna size. The gain of Andrew antennas is determined by either gain by comparison or by computer integration of the measured antenna patterns.

Product Specifications



Operating Frequency Band	Bands correspond with CCIR recommendations or common allocations used throughout the world. Other ranges can be accommodated on special order.
Packing	Andrew standard packing is suitable for export. Antennas are shipped as standard in totally recyclable cardboard or wire-bound crates (dependent on product). For your convenience, Andrew offers heavy duty export packing options.
Radiation Pattern Envelope Reference (RPE)	Radiation patterns determine an antenna's ability to discriminate against unwanted signals under conditions of radio congestion. Radiation patterns are dependent on antenna series, size, and frequency.
Return Loss	The figure that indicates the proportion of radio waves incident upon the antenna that are rejected as a ratio of those that are accepted.
Side Force (FS)	Maximum axial forces exerted on support structures by side struts as a result of a 200 km/h (125 mph) wind from the most critical direction and extreme angle permitted. The forces are a component of, not in addition to, the maximum forces specified above.
Twisting Moment (MT)	Maximum forces exerted on a supporting structure as a result of wind from the most critical direction for this parameter. The individual maximums specified may not occur simultaneously. All forces are referenced to the mounting pipe.
VSWR	Maximum; is the guaranteed Peak Voltage-Standing-Wave-Ratio within the operating band.
Wind Velocity Operational	The wind speed where the antenna deflection is equal to or less than 0.1 degrees.
Wind Velocity Survival Rating	Microwave antennas, including mounts and radomes, where applicable, will withstand the simultaneous wind and ice conditions as specified.